

MEG Netztransformator nach VDE 0570 DIN EN 61558-2-1, -4



Einphasen Netztransformator

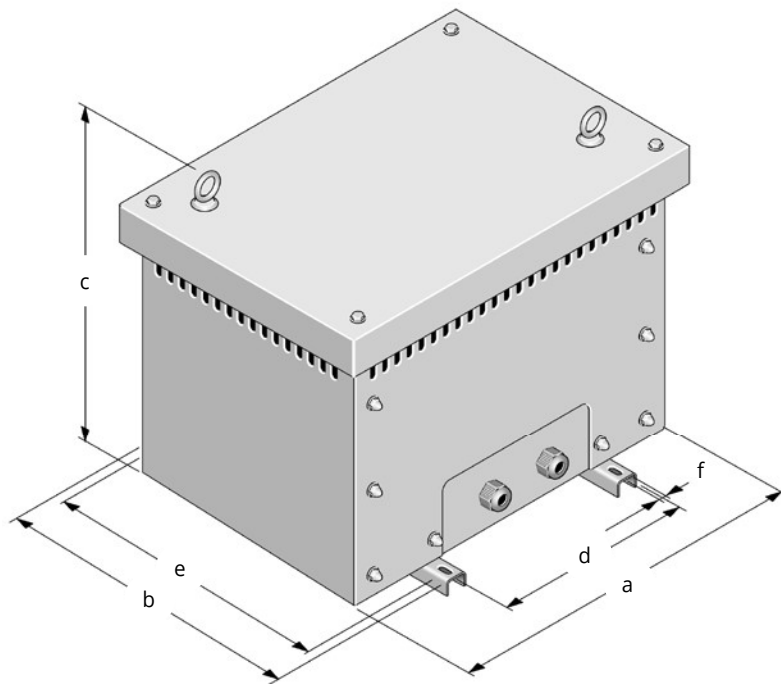
Korrosions- und Feuchtigkeitsschutz durch komplette Harz-Imprägnierung, max. Umgebungstemperatur 40°C, Isolationsklasse F, getrennte Wicklungen, Schutzart IP 23, **Stahlblechgehäuse lackiert RAL 7035** Frequenz 50-60 Hz

Eingangsspannung: 100V - 750V
Ausgangsspannung: 100V - 750V
Anschluss: < 140A Reihenklemmen
 > 140A Kupferlaschen

Single-phase isolating transformer

Protection against humidity due and rusting by complete impregnation, maximum ambient temperature 40°C, insulation class F, separated windings, protection system IP 23, **sheet steel housing painted RAL 7035**, frequency 50-60 Hz

rated supply voltage: 100V - 750V
rated output voltage: 100V - 750V
connection: < 140A terminals
 > 140A flat copper connection



| Typ type | Leistung rating KVA | a mm | b mm | c mm | d mm | e mm | f mm | Geh.-Nr. housing no. | Gewicht weight kg |
|----------|---------------------|------|------|------|------|------|------|----------------------|-------------------|
| MEG 2 | 10,0 | 480 | 440 | 530 | 280 | 400 | 11,0 | 28 | 80,0 |
| MEG 3 | 12,5 | 480 | 440 | 530 | 280 | 400 | 11,0 | 28 | 95,0 |
| MEG 3 | 13,5 | 480 | 440 | 530 | 280 | 400 | 11,0 | 28 | 95,0 |
| MEG 4 | 15,0 | 480 | 440 | 530 | 280 | 400 | 11,0 | 28 | 105,0 |
| MEG 4 | 17,5 | 480 | 440 | 530 | 280 | 400 | 11,0 | 28 | 110,0 |
| MEG 5 | 20,0 | 480 | 440 | 530 | 340 | 400 | 11,0 | 28 | 125,0 |
| MEG 6 | 25,0 | 770 | 550 | 670 | 340 | 450 | 11,0 | 150 | 145,0 |
| MEG 7 | 30,0 | 770 | 550 | 670 | 340 | 450 | 11,0 | 150 | 165,0 |
| MEG 7 | 35,0 | 770 | 550 | 670 | 340 | 450 | 11,0 | 150 | 175,0 |
| MEG 8 | 40,0 | 860 | 630 | 730 | 440 | 530 | 11,0 | 160 | 200,0 |
| MEG 9 | 50,0 | 860 | 630 | 730 | 440 | 530 | 11,0 | 160 | 235,0 |
| MEG 10 | 63,0 | 1050 | 760 | 810 | 640 | 720 | 11,0 | 170 | 300,0 |
| MEG 11 | 80,0 | 1050 | 760 | 810 | 640 | 720 | 11,0 | 170 | 380,0 |
| MEG 12 | 100,0 | 1050 | 760 | 810 | 640 | 720 | 11,0 | 170 | 460,0 |

HIERVON ABWEICHENDE SPANNUNGEN UND LEISTUNGEN AUF ANFRAGE.

OTHER VOLTAGES AND RATINGS AVAILABLE UPON REQUEST.