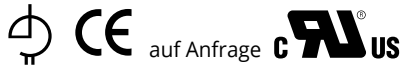


# WT/GT Luftspaltdrossel nach VDE 0570 DIN EN 61558-2-20

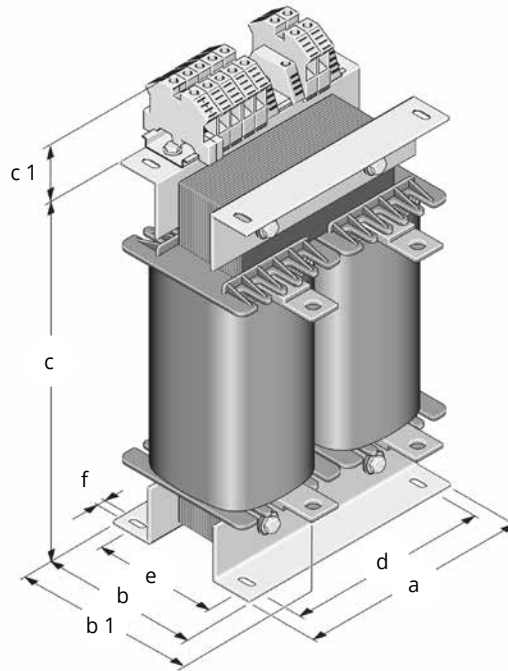


## Einphasen Luftspaltdrossel

Korrosions- und Feuchtigkeitsschutz durch komplette Vakuum-Imprägnierung, maximale Umgebungstemperatur 40°C, Isolationsklasse E, Schutzart IP 00, zum Einbau bis IP 23, **Anschlüsse von Stromstärke abhängig: auf Klemmen oder Kupferlaschen**

## Single-phase reactors

Protection against humidity due and rusting by complete vacuum-impregnation, maximum ambient temperature 40°C, insulation class E, protection system IP 00, for installation up to IP 23, **connection dependent of the current: terminal or flat copper connection**



stehende Bauart / vertical design

| Typ type | Bauleistung core power A | a mm | b mm | b 1 mm | c mm | c 1 mm  | d mm | e mm | f mm | Gewicht weight kg |
|----------|--------------------------|------|------|--------|------|---------|------|------|------|-------------------|
| WT / GT  | 2,0                      | 176  | 132  | 195    | 228  | 40 - 60 | 128  | 102  | 10,0 | 20,0              |
| WT / GT  | 2,5                      | 200  | 135  | 195    | 260  | 40 - 60 | 140  | 107  | 10,0 | 23,0              |
| WT / GT  | 3,0                      | 200  | 147  | 210    | 260  | 40 - 60 | 140  | 119  | 10,0 | 27,5              |
| WT / GT  | 3,5                      | 240  | 153  | 230    | 310  | 40 - 60 | 200  | 125  | 10,0 | 34,5              |
| WT / GT  | 4,0                      | 240  | 153  | 220    | 310  | 40 - 80 | 200  | 125  | 10,0 | 35,0              |
| WT / GT  | 4,5                      | 240  | 168  | 240    | 310  | 40 - 80 | 200  | 140  | 10,0 | 40,0              |
| WT / GT  | 5,0                      | 240  | 183  | 255    | 310  | 40 - 80 | 200  | 155  | 10,0 | 46,5              |
| WT / GT  | 6,3                      | 280  | 173  | 250    | 365  | 40 - 90 | 240  | 143  | 10,0 | 54,0              |
| WT / GT  | 7,5                      | 280  | 188  | 270    | 365  | 40 - 90 | 240  | 158  | 10,0 | 63,0              |
| WT / GT  | 8,8                      | 280  | 203  | 280    | 365  | 40 - 90 | 240  | 173  | 10,0 | 77,0              |
| WT / GT  | 10,0                     | 280  | 233  | 310    | 365  | 40 - 90 | 240  | 203  | 10,0 | 91,0              |