

SNF Sinusfilter nach VDE 0570 DIN EN 61558-2-20



Dreiphasen Sinusfilter

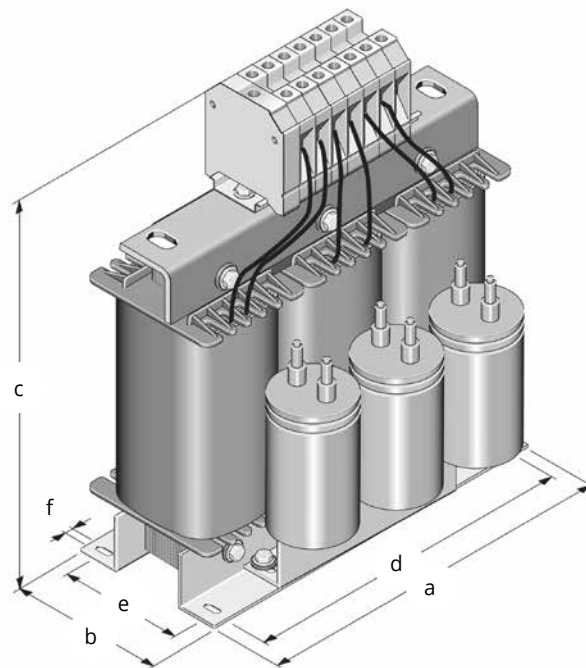
Korrosions- und Feuchtigkeitsschutz durch komplette Vakuum-Imprägnierung, maximale Umgebungstemperatur 40°C, Isolationsklasse F, Schutzart IP 00, zum Einbau bis IP 23

Nennspannung: $U \leq 3x 500V$
Nennstrom: 4 - 1200A
maximale Spannungsrippl: 5%
Motorfrequenz: 0 - 70 Hz (>70 Hz mit Derating)
Kurzschlußspannung Uk: 8% (bei 400V 50 Hz)
maximale Zuleitungslänge zum Motor: 600m (ungeschirmt); 1000 Meter (geschirmt)

Three-phase harmonic circuit filter reactors

Protection against humidity due and rusting by complete vacuum-impregnation, maximum ambient temperature 40°C, insulation class F, protection system IP 00, for installation up to IP 23

rated voltage: $U \leq 3x 500V$
rated current: 4 - 1200A
maximum voltage ripple: 5%
motor frequency: 0 - 70 Hz (>70 Hz with Derating)
short-circuit voltage Uk: 8% (bei 400V 50 Hz)
maximum length of supply cables to the motor: 600m (unshielded cable); 1000 Meter (shielded cable)



stehende Bauform auf Fußwinkel
/ vertical design on foot angle

| Typ type | Motorleistung motor power kW | a mm | b mm | c mm | d mm | e mm | f mm | Gewicht weight kg |
|----------|------------------------------|------|------|------|------|------|------|-------------------|
| SNF 1,5 | 1,1/1,5 | 150 | 110 | 150 | 136 | 59 | 4,8 | 3,0 |
| SNF 3 | 2,2/3 | 180 | 125 | 185 | 166 | 55 | 4,8 | 4,5 |
| SNF 4 | 4 | 190 | 145 | 185 | 166 | 70 | 4,8 | 5,5 |
| SNF 7,5 | 5,5/7,5 | 220 | 155 | 215 | 201 | 81 | 7,0 | 8,0 |
| SNF 11 | 11 | 220 | 165 | 215 | 201 | 89 | 7,0 | 12,0 |
| SNF 18,5 | 15/18,5 | 240 | 170 | 280 | 190 | 95 | 11,0 | 15,0 |
| SNF 22 | 22 | 240 | 200 | 280 | 190 | 115 | 11,0 | 21,0 |
| SNF 30 | 30 | 240 | 240 | 280 | 190 | 129 | 11,0 | 26,0 |
| SNF 37 | 37 | 300 | 235 | 360 | 240 | 133 | 11,0 | 37,0 |
| SNF 55 | 45/55 | 360 | 255 | 390 | 310 | 125 | 11,0 | 52,0 |
| SNF 90 | 75/90 | 420 | 320 | 430 | 370 | 151 | 11,0 | 97,0 |
| SNF 110 | 110 | 420 | 320 | 430 | 370 | 151 | 11,0 | 100,0 |
| SNF 132 | 132 | 420 | 355 | 430 | 370 | 181 | 11,0 | 120,0 |
| SNF 200 | 160/200 | 480 | 415 | 440 | 430 | 234 | 13,0 | 155,0 |