

**Dreiphasen Filterkreisdrossel**

Korrosions- und Feuchtigkeitsschutz durch komplette Vakuum-Imprägnierung, maximale Umgebungstemperatur 40°C, Isolationsklasse E, Schutzart IP 00, zum Einbau bis IP 23, **Anschlüsse von der Stromstärke abhängig: auf Klemmen oder Kupferlaschen**

**Linearität bis zum 1,6 fachen Nennstrom**

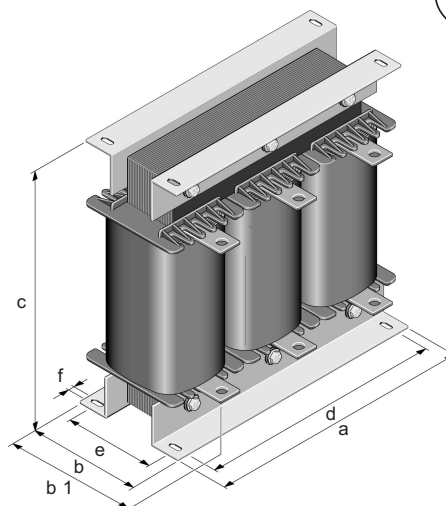
**Bemessungsspannung** : 3 x 400V  
**Bemessungsfrequenz** : 50 Hz  
**Verdrosselungsfaktor** : 14%  
**Einstellgenauigkeit** : ± 3%

**Three-phase harmonic circuit filter reactors**

Protection against humidity due and rusting by complete vacuum-impregnation, maximum ambient temperature 40°C, insulation class E, protection system IP 00, for installation up to IP 23, **connection dependent of the current: terminal or flat copper connection**

**Linearity up to 1,6 times rated current**

**rated supply voltage** : 3 x 400V  
**rated frequency** : 50 Hz  
**reacting factor** : 14%  
**adjustment tolerance** : ± 3%



stehende Bauart / vertical design

| Type type | Leistung rating kvar | L mH  | I bei 50 Hz A | a mm | b mm | b 1 mm | c mm | d mm | e mm | f mm | Gewicht weight kg |
|-----------|----------------------|-------|---------------|------|------|--------|------|------|------|------|-------------------|
| FKD 14 /  | 2,5                  | 33,18 | 3,8           | 155  | 95   | 105    | 135  | 130  | 74   | 8,0  | 7,0               |
| FKD 14 /  | 5,0                  | 16,59 | 7,7           | 190  | 91   | 101    | 160  | 170  | 68   | 8,0  | 9,5               |
| FKD 14 /  | 8,0                  | 10,37 | 12,2          | 190  | 105  | 115    | 160  | 170  | 80   | 8,0  | 11,5              |
| FKD 14 /  | 10,0                 | 8,29  | 15,3          | 240  | 121  | 135    | 210  | 190  | 96   | 11,0 | 15,0              |
| FKD 14 /  | 12,5                 | 6,64  | 19,3          | 240  | 141  | 155    | 210  | 190  | 116  | 11,0 | 22,0              |
| FKD 14 /  | 15,0                 | 5,53  | 23,0          | 240  | 141  | 155    | 210  | 190  | 116  | 11,0 | 24,0              |
| FKD 14 /  | 20,0                 | 4,15  | 30,5          | 240  | 151  | 165    | 210  | 190  | 126  | 11,0 | 25,5              |
| FKD 14 /  | 25,0                 | 3,32  | 38,5          | 300  | 152  | 175    | 270  | 240  | 121  | 11,0 | 32,0              |
| FKD 14 /  | 30,0                 | 2,76  | 45,9          | 300  | 165  | 188    | 270  | 240  | 134  | 11,0 | 36,0              |
| FKD 14 /  | 33,3                 | 2,49  | 51,0          | 300  | 175  | 198    | 270  | 240  | 144  | 11,0 | 42,0              |
| FKD 14 /  | 40,0                 | 2,07  | 61,0          | 300  | 192  | 215    | 270  | 240  | 161  | 11,0 | 48,0              |
| FKD 14 /  | 50,0                 | 1,66  | 77,0          | 360  | 163  | 185    | 312  | 310  | 126  | 11,0 | 58,0              |
| FKD 14 /  | 60,0                 | 1,38  | 92,0          | 360  | 193  | 215    | 312  | 310  | 156  | 11,0 | 69,0              |
| FKD 14 /  | 70,0                 | 1,18  | 107,0         | 360  | 193  | 215    | 312  | 310  | 156  | 11,0 | 70,0              |
| FKD 14 /  | 80,0                 | 1,04  | 122,0         | 420  | 197  | 220    | 365  | 370  | 152  | 11,0 | 78,0              |
| FKD 14 /  | 100,0                | 0,83  | 153,0         | 420  | 223  | 245    | 365  | 370  | 182  | 11,0 | 100,0             |

Hiervon abweichende Spannungen und Leistungen auf Anfrage.

Other voltages and ratings available upon request.